

PRELIMINARY
SPECIFICATIONS

MOVE THE WORLD FORWARD  MITSUBISHI
HEAVY
INDUSTRIES
GROUP

PREMiA EM

PBV/PBF20-25N3(R)(S) Series

PLATFORM POWER PALLET TRUCKS

2.0 - 2.5 tonnes

**SMALL IN SIZE...
BIG ON PERFORMANCE**

The PREMiA EM range is available in three variations: foldable platform, fixed platform rear entry, and fixed platform side entry. Each truck is available in either 2 tonne or 2.5 tonne capacities. All trucks feature a heavy-duty chassis in 3 possible sizes: mini, junior and senior to suit all battery requirements. The mini chassis is also the shortest on the market.

SPECIFICATIONS

PBV20N3	PBF20N3R	PBF20N3S
PBV25N3	PBF25N3R	PBF25N3S



**WHEN
RELIABILITY IS
EVERYTHING...**

 **MITSUBISHI
FORKLIFT TRUCKS**

PREMIA EM

PBV/PBF20-25N3(R)(S) Series

PLATFORM POWER PALLET TRUCKS

2.0 – 2.5 tonnes



The patented DriveSteady system ensures outstanding drive wheel pressures, excellent shock absorption and side stability when cornering - making PREMIA EM a milestone power pallet truck.

The ergonomically shaped, best-in-class ErgoSteer tiller head features easily accessible controls that allow the operator to manoeuvre the truck comfortably, safely and intuitively, keeping their focus on the job at hand.

Within PREMIA EM, connectors and sensors are sealed to protect from dust, water and debris, enabling long service intervals, less maintenance and maximum uptime.

BRAKES

- **Parking brake**
Automatically activated when necessary for extra safety on ramps

DRIVE

- **Powerful, sealed AC motor**
High torque for greater efficiency. No carbon brushes mean lower servicing requirements.
- **Sealed transmission**
Shock-resistant, quiet and requires little maintenance.
- **Dust-shielded load wheels**
Less maintenance and component replacement required.

ELECTRICAL AND CONTROL SYSTEMS

- **Waterproof wiring and connectors**
Sealed compartment prevents system failure and corrosion from water and dust.



- **Combi controller lift system**
Proportional rocker switch control for lifting and lowering.
- **Versatile battery compartment**
Accommodates Li-ion and traditional DIN or BS size batteries to ensure maximum compatibility with user equipment.
- **Battery access**
Battery can be accessed from above to check electrolyte status or (optional) pulled out on steel rollers for battery change over.
- **Mounted battery plug**
Plug is contained within a tray so there is no risk of loose cables getting caught when changing the battery.
- **Built-in Li-ion battery**
Fast opportune charging removes the need for extra batteries and allows 24/7 operation. (Available on mini and junior chassis).
- **Shared components in low lifters**
Service costs and downtime are kept to a minimum.
- **DriveSteady**
Innovative patented traction, dampening and stability systems are all optimised to accommodate exceptional damping and work in close harmony with a unique castor wheel design, providing unequalled comfort on uneven surfaces with maintained stability when cornering.
- **Steel-plated rear bumper**
Bumper is angled low to prevent foot injuries
- **Compact chassis**
Robust and highly optimised to be the shortest in its class.

FORKS

- **Robust forks**
Strong welded construction with rounded tips for effortless pallet entry.
- **Market-leading lift height of 220mm**
Ideal for handling on steep ramps, loading docks and uneven surfaces, even when using recycled pallets.
- **Tapered forks**
Access to pallets in racks or block stacks is easier, quicker and safer.

FRAME AND BODY

- **Two linked castor wheels**
In addition to the load wheels for added stability. Increases comfort for the driver and safety for the load.



There is more information on PREMIA EM on mitforklift.com

For more extensive information please visit our website mitforklift.com



mft2.eu/premiaem

PREMIA EM

PBV/PBF20-25N3(R)(S) Series

PLATFORM POWER PALLET TRUCKS

2.0 – 2.5 tonnes



OPERATOR COMPARTMENT AND CONTROLS

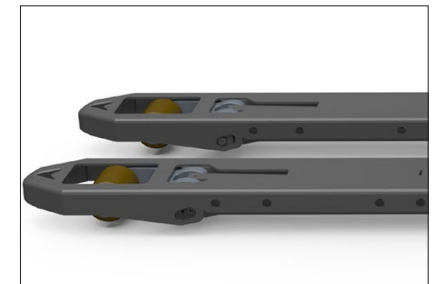
- **PIN-code access**
Stops unauthorised truck use and keeps you aware of who's operating at all times.
- **Choice of three operating modes (PRO, ECO and Easy)**
Different driver modes: PRO for advanced drivers, ECO for low energy consumption, Easy for sensitive goods or beginners.
- **Ergonomic ErgoSteer tiller head**
Best-in-class, weather-protected and impact-resistant tiller head with large, easy-to-reach buttons placed at a patented ergonomic distance for reduced fatigue and safer operation. IP65 rated.
- **Long tiller arm**
The standard mechanical steering option offers easy steering for low-intensity work.
- **Power steering**
Power steering on short tiller arm has a reduced steering angle for comfortable, precise control and smooth cornering. (Option on PBVN3 models).
- **TractionPlus**
Spring-loaded and hydraulic system works with DriveSteady to continuously increase drive wheel pressure. This ensures optimum traction and proportionally increase drive wheel pressure with increasing load weight on all surfaces for highest productivity and safety.

- **Comfort steering**
Electric-powered steering without arm offers less operator fatigue in combination with the ergonomic platform. (Standard on PBF20 / 25N3S, option on PBF20 / 25N3R)
- **Ultra-low step height**
Operators stay more productive throughout shifts thanks to easy on/off access - an important feature on side entry trucks frequently used for order picking operations.
- **Dampened platform**
Foldable platforms and side/rear entry platforms are dampened to ensure minimum vibrations and bumps for greater operator comfort. (All models).
- **Adjustable EasyRide electric dampening**
Unique electric dampening capability allows operator to adjust the platform to their weight - ideal for applications on ramps or loading docks. (Option on side / rear entry platform trucks).
- **Foot protection**
If the operator's foot is outside of the platform, the truck reduces speeds and stops to prevent risk of injury. (rear entry models only)
- **Foldable side bars**
High, cushioned ergonomic side bars can be moved up or down and can be quickly switched to suit different operations.
- **Cast iron driver platform**
Robust and cushioned.

- **Battery discharge indicator**
Fitted as standard for battery protection and preventing deep discharge.
- **Multi-function display**
Shows truck mode, status and drive speeds using easy to read icons, as well as error codes. (option)

OTHER FEATURES

- **RapidAccess features**
These allow quick and easy entry to all areas for checks and maintenance.
- **Storage compartment**
Operator can store tools and other required items.



There is more information on PREMIA EM on mitforklift.com

For more extensive information please visit our website mitforklift.com



PREMIA EM

OPTIONAL LI-ION BATTERY SYSTEMS

MAKE YOUR FORKLIFT GO EVEN FURTHER



Fully integrated Li-ion battery

Features a sophisticated CANbus communication and an automatic ON/OFF synchronization between battery and truck. Battery level, notifications and alarms are integrated into the truck display, to secure clear and easy overview for the truck operator.

Tried, tested and proven in the field, lead-acid batteries have been the long-standing top choice for companies employing electric lift trucks. However, with long charging times, demanding maintenance requirements, the need for extra batteries and high risk of operator misuse, it can be a challenge. Fortunately, there's a new battery system on the block: Li-ion from Mitsubishi Forklift Trucks.

Designed to meet your business' demands - including multi-shift (24/7) operations - without the need for spare batteries, our high-performance Li-ion battery system is up to 30% more efficient than lead-acid counterparts. Plus, it's virtually error-proof, thanks to its ultra-low-maintenance design.

- **Gas-emission free and space efficient operation**
with no need for air ventilation and/or closed charging room.
- **Exceptional high battery & charger efficiency**
due to state-of-the-art technology, delivers up to 30% more power efficiency than lead-acid batteries.

- **Maintenance free design**
Eliminates the need for daily checks and water re-fills by operator, and reduces the risk of operators damaging cells.
- **No spare batteries and charging room required**
saves space and costs in multi-shift application to maximise profitability.
- **Quick charge capabilities**
mean that just 15 minutes is all your battery needs to keep your truck going a few more hours. (It only takes from 1 hour to fully charge a completely discharged battery.)
- **Higher sustained voltage**
ensures more consistent lifting and driving performance, which is particularly noticeable towards the end of a shift.
- **Active protection componentry**
this continuously monitors the system, highlighting potential issues, including misuse.
- **High safety features include**
Short circuit protection, deep-discharge and overcharge protection, individual cell temperature and voltage monitoring.
- **On-the-go performance and monitoring**
is possible thanks to the system's integrated monitoring system with easy-to-read display unit.
- **Wide choice of battery and charger capacities**
The most suitable power supply can be matched to the exact requirements of a specific application.



There is more information on Li-ion on mitforklift.com

For more extensive information please visit our website mitforklift.com



mft2.eu/ion

VDI - PERFORMANCE & DIMENSIONS

CHARACTERISTICS					
1.1	Manufacturer			Mitsubishi Forklift Trucks Mitsubishi Forklift Trucks	
1.2	Manufacturer's model designation			PBV20N3 ⁹⁾	PBV25N3 ⁹⁾
1.3	Power source			Battery	Battery
1.4	Operator type			Pedestrian / stand-on	Pedestrian / stand-on
1.5	Load capacity	Q	kg	2000	2500
1.6	Load center distance	c	mm	600	600
1.8	Load wheel axle to fork face (forks lowered)	x	mm	975	975
1.9	Wheelbase	y	mm	1437	1437
WEIGHT					
2.1	Truck weight without load, with maximum battery weight			kg	750
2.2	Axle loadings with nominal load & maximum battery weight, drive / load side			kg	1015 / 1742
2.3	Axle loadings without load & with maximum battery weight, drive / load side			kg	570 / 187
WHEELS, DRIVE TRAIN					
3.1	Tyres: PT = Power Thane, Vul = Vulkollan, P = Polyurethane, N = Nylon, R = Rubber drive / load side			Vul / Vul	Vul / Vul
3.2	Tyre dimensions, drive side			mm	235 x 75
3.3	Tyre dimensions, load side			mm	85 x 75
3.4	Castor wheel dimensions (diameter x width)			mm	150 x 60
3.5	Number of wheels, load / drive side (x = driven)				4 / 1 x + 2
3.6	Track width (center of tyres), drive side	b10	mm	520	520
3.7	Track width (center of tyres), load side	b11	mm	b5 - 175	b5 - 175
DIMENSIONS					
4.4	Lift height	h3	mm	135	135
4.8	Seat- or stand height	h7	mm	171	171
4.9	Height of tiller arm / steering console (min./max.)	h14	mm	1099 / 1512	1099 / 1512
4.15	Fork height, fully lowered	h13	mm	85	85
4.19	Overall length	l1	mm	1880 / 2256	1880 / 2256
4.20	Length to fork face	l2	mm	730 / 1106	730 / 1106
4.21	Overall width	b1/b2	mm	740	740
4.22	Fork dimensions (thickness, width, length)	s/e/l	mm	60 / 175 / 1150	60 / 175 / 1150
4.25	Outside width over forks (minimum / maximum)	b5	mm	540	540
4.32	Ground clearance at center of wheelbase, (forks lowered)	m2	mm	25	25
4.33c	Working aisle width (Ast) with 1000 x 1200 mm pallets, load crosswise, platform up/down	Ast	mm	2472 / 2825	2472 / 2825
4.33d	Working aisle width (Ast3) with 1000 x 1200 mm pallets, load crosswise, platform up/down	Ast3	mm	1953 / 2306	
4.34c	Working aisle width (Ast) with 800 x 1200 mm pallets, load lengthwise, platform up/down	Ast	mm	2358 / 2711	
4.34d	Working aisle width (Ast3) with 800 x 1200 mm pallets, load lengthwise, platform up/down	Ast3	mm	2153 / 2506	
4.35	Turning radius	Wa	mm	1666 / 2019	1666 / 2019
PERFORMANCE					
5.1	Travel speed, with / without load			km/h	10 / 10 ⁷⁾
5.2	Lifting speed, with / without load			m/s	0.07 / 0.09
5.3	Lowering speed, with / without load			m/s	0.12 / 0.09
5.7	Gradeability, with / without load			%	14 / 22
5.9	Acceleration time (10 metres) with / without load			s	6.1 / 5.3
5.10	Service brakes (mechanical / hydraulic / electric / pneumatic)				Electric
ELECTRIC MOTORS					
6.1	Drive motor capacity (60 min. short duty)			kW	2.4
6.2	Lift motor output at 15% duty factor			kW	2.2
6.4	Battery voltage/capacity at 5-hour discharge			V/Ah	24 / 222 ¹⁰⁾ -300
6.5	Battery weight			kg	250 - 300
6.6b	Energy consumption according to VDI 60 cycle			kWh / h	0.40
MISCELLANEOUS					
8.1	Type of drive control				Stepless
10.7.1	Level of noise at the ear level of the driver according to EN 12 053:2001 and EN ISO 4871, drive/lift/idle LpAZ			dB(A)	62

7) 10,5 / 12 kmh with Power Steering and tandem wheels

8) Comfort Steering

9) Different chassis size to accompany various battery capacities are optional. Optional chassis sizes may influence truck dimensions.

Please refer to the 'CHASSIS & BATTERY' tables, or ask your dealer for full details.

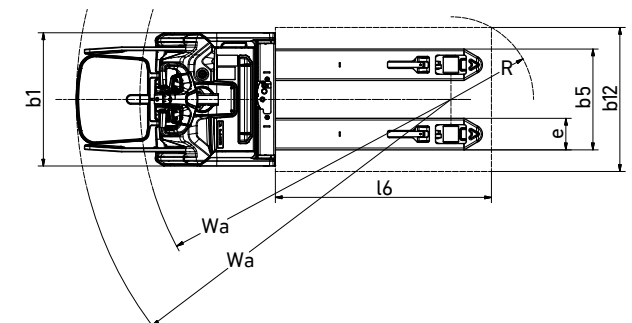
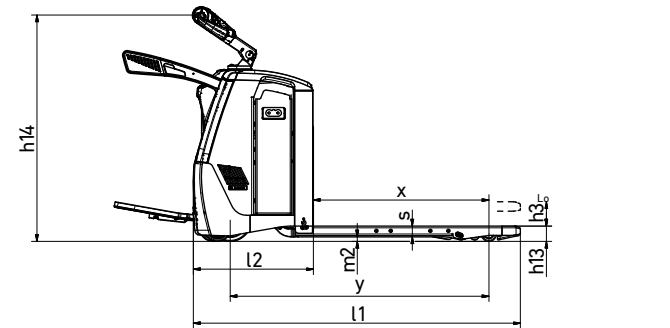
10) Shows Li-Ion capacity; Lead Acid battery 240Ah

PREMIA EM

PBV20-25N3 Series

PLATFORM POWER PALLET TRUCKS

2.0 – 2.5 tonnes



Ast = Wa-x+l6+200
Ast = Working aisle width
Wa = Turning radius

VDI - PERFORMANCE & DIMENSIONS

CHARACTERISTICS				Mitsubishi Forklift Trucks		Mitsubishi Forklift Trucks	
1.1	Manufacturer			PBF20N3R ⁹⁾	PBF25N3R ⁹⁾		
1.2	Manufacturer's model designation			Battery	Battery		
1.3	Power source			Stand-on	Stand-on		
1.4	Operator type						
1.5	Load capacity	Q	kg	2000	2500		
1.6	Load center distance	c	mm	600	600		
1.8	Load wheel axle to fork face (forks lowered)	x	mm	975	975		
1.9	Wheelbase	y	mm	1437	1437		
WEIGHT							
2.1	Truck weight without load, with maximum battery weight		kg	820	820		
2.2	Axle loadings with nominal load & maximum battery weight, drive / load side		kg	1216 / 1691	1270 / 2110		
2.3	Axle loadings without load & with maximum battery weight, drive / load side		kg	648 / 169	648 / 169		
WHEELS, DRIVE TRAIN							
3.1	Tyres: PT = Power Thane, Vul = Vulkollan, P = Polyurethane, N = Nylon, R = Rubber drive / load side			Vul / Vul	Vul / Vul		
3.2	Tyre dimensions, drive side		mm	235 x 75	235 x 75		
3.3	Tyre dimensions, load side		mm	85 x 75	85 x 75		
3.4	Castor wheel dimensions (diameter x width)		mm	150 x 60	150 x 60		
3.5	Number of wheels, load / drive side (x = driven)			4 / 1x + 2	4 / 1x + 2		
3.6	Track width (center of tyres), drive side	b10	mm	520	520		
3.7	Track width (center of tyres), load side	b11	mm	b5 - 175	b5 - 175		
DIMENSIONS							
4.4	Lift height	h3	mm	135	135		
4.8	Seat- or stand height	h7	mm	170	170		
4.9	Height of tiller arm / steering console (min./max.)	h14	mm	1119 / 1428	1119 / 1428		
4.15	Fork height, fully lowered	h13	mm	85	85		
4.19	Overall length	l1	mm	2292	2292		
4.20	Length to fork face	l2	mm	1141	1141		
4.21	Overall width	b1/b2	mm	740	740		
4.22	Fork dimensions (thickness, width, length)	s/e/l	mm	60 / 175 / 1150	60 / 175 / 1150		
4.25	Outside width over forks (minimum / maximum)	b5	mm	540	540		
4.32	Ground clearance at center of wheelbase, (forks lowered)	m2	mm	25	25		
4.33a	Working aisle width (Ast) with 1000 x 1200 mm pallets, load crosswise	Ast	mm	2865	2865		
4.33b	Working aisle width (Ast3) with 1000 x 1200 mm pallets, load crosswise	Ast3	mm	2346	2346		
4.34a	Working aisle width (Ast) with 800 x 1200 mm pallets, load lengthwise	Ast	mm	2751	2751		
4.34b	Working aisle width (Ast3) with 800 x 1200 mm pallets, load lengthwise	Ast3	mm	2546	2546		
4.35	Turning radius	Wa	mm	2059	2059		
PERFORMANCE							
5.1	Travel speed, with / without load		km/h	10 / 10 ⁷⁾	10 / 10 ⁷⁾		
5.2	Lifting speed, with / without load		m/s	0.07 / 0.09	0.06 / 0.09		
5.3	Lowering speed, with / without load		m/s	0.12 / 0.09	0.11 / 0.09		
5.7	Gradeability, with / without load		%	13 / 15	11 / 22		
5.9	Acceleration time (10 metres) with / without load		s	6.1 / 5.3	6.5 / 5.3		
5.10	Service brakes (mechanical / hydraulic / electric / pneumatic)			Electric	Electric		
ELECTRIC MOTORS							
6.1	Drive motor capacity (60 min. short duty)		kW	2.4	2.4		
6.2	Lift motor output at 15% duty factor		kW	2.2	2.2		
6.4	Battery voltage/capacity at 5-hour discharge		V/Ah	24 / 222 ¹⁰⁾ -300	24 / 222 ¹⁰⁾ -300		
6.5	Battery weight		kg	250 - 300	250 - 300		
6.6b	Energy consumption according to VDI 60 cycle		kWh / h	0.40	0.42		
MISCELLANEOUS							
8.1	Type of drive control			Stepless	Stepless		
10.7.1	Level of noise at the ear level of the driver according to EN 12 053:2001 and EN ISO 4871, drive/lift/idle LpAZ		dB(A)	62	64		

7) 10,5 / 12 kmh with Power Steering and tandem wheels

8) Comfort Steering

9) Different chassis size to accompany various battery capacities are optional. Optional chassis sizes may influence truck dimensions.

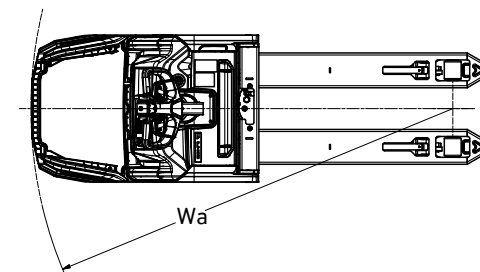
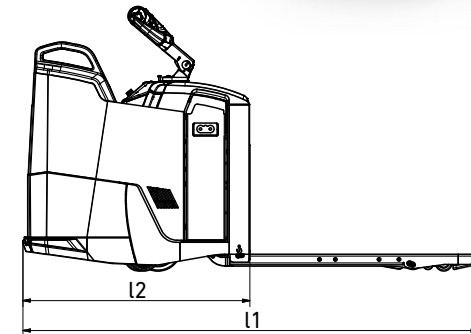
Please refer to the 'CHASSIS & BATTERY' tables, or ask your dealer for full details.

10) Shows Li-Ion capacity; Lead Acid battery 240Ah

PREMIA EM

PBF20-25N3R Series PLATFORM POWER PALLET TRUCKS

2.0 – 2.5 tonnes



Ast = Wa-x+l6+200
Ast = Working aisle width
Wa = Turning radius

VDI - PERFORMANCE & DIMENSIONS

CHARACTERISTICS				Mitsubishi Forklift Trucks		Mitsubishi Forklift Trucks	
1.1	Manufacturer			PBF20N3S ⁹⁾	PBF25N3S ⁹⁾		
1.2	Manufacturer's model designation			Battery	Battery		
1.3	Power source			Stand-on	Stand-on		
1.4	Operator type						
1.5	Load capacity	Q	kg	2000	2500		
1.6	Load center distance	c	mm	600	600		
1.8	Load wheel axle to fork face (forks lowered)	x	mm	975	975		
1.9	Wheelbase	y	mm	1437	1437		
WEIGHT							
2.1	Truck weight without load, with maximum battery weight		kg	800	800		
2.2	Axle loadings with nominal load & maximum battery weight, drive / load side		kg	1202 / 1688	1193 / 2107		
2.3	Axle loadings without load & with maximum battery weight, drive / load side		kg	634 / 166	643 / 166		
WHEELS, DRIVE TRAIN							
3.1	Tyres: PT = Power Thane, Vul = Vulkollan, P = Polyurethane, N = Nylon, R = Rubber drive / load side			Vul / Vul	Vul / Vul		
3.2	Tyre dimensions, drive side		mm	235 x 75	235 x 75		
3.3	Tyre dimensions, load side		mm	85 x 75	85 x 75		
3.4	Castor wheel dimensions (diameter x width)		mm	150 x 60	150 x 60		
3.5	Number of wheels, load / drive side (x = driven)			4 / 1x+2	4 / 1x+2		
3.6	Track width (center of tyres), drive side	b10	mm	520	520		
3.7	Track width (center of tyres), load side	b11	mm	b5 - 175	b5 - 175		
DIMENSIONS							
4.4	Lift height	h3	mm	135	135		
4.8	Seat- or stand height	h7	mm	170	170		
4.9	Height of tiller arm / steering console (min./max.)	h14	mm	1130 / 1297 ⁸⁾	1130 / 1297 ⁸⁾		
4.15	Fork height, fully lowered	h13	mm	85	85		
4.19	Overall length	l1	mm	2292	2292		
4.20	Length to fork face	l2	mm	1141	1141		
4.21	Overall width	b1/b2	mm	740	740		
4.22	Fork dimensions (thickness, width, length)	s/e/l	mm	60 / 175 / 1150	60 / 175 / 1150		
4.25	Outside width over forks (minimum / maximum)	b5	mm	540	540		
4.32	Ground clearance at center of wheelbase, (forks lowered)	m2	mm	25	25		
4.33a	Working aisle width (Ast) with 1000 x 1200 mm pallets, load crosswise	Ast	mm	2865	2865		
4.33b	Working aisle width (Ast3) with 1000 x 1200 mm pallets, load crosswise	Ast3	mm	2346	2346		
4.34a	Working aisle width (Ast) with 800 x 1200 mm pallets, load lengthwise	Ast	mm	2751	2751		
4.34b	Working aisle width (Ast3) with 800 x 1200 mm pallets, load lengthwise	Ast3	mm	2546	2546		
4.35	Turning radius	Wa	mm	2059	2059		
PERFORMANCE							
5.1	Travel speed, with / without load		km/h	10 / 10 ⁷⁾	10 / 10 ⁷⁾		
5.2	Lifting speed, with / without load		m/s	0.07 / 0.09	0.06 / 0.09		
5.3	Lowering speed, with / without load		m/s	0.12 / 0.09	0.11 / 0.09		
5.7	Gradeability, with / without load		%	13 / 15	11 / 22		
5.9	Acceleration time (10 metres) with / without load		s	6.1 / 5.3	6.5 / 5.3		
5.10	Service brakes (mechanical / hydraulic / electric / pneumatic)			Electric	Electric		
ELECTRIC MOTORS							
6.1	Drive motor capacity (60 min. short duty)		kW	2.4	2.4		
6.2	Lift motor output at 15% duty factor		kW	2.2	2.2		
6.4	Battery voltage/capacity at 5-hour discharge		V/Ah	24 / 222 ¹⁰⁾ -300	24 / 222 ¹⁰⁾ -300		
6.5	Battery weight		kg	250 - 300	250 - 300		
6.6b	Energy consumption according to VDI 60 cycle		kWh / h	0.40	0.42		
MISCELLANEOUS							
8.1	Type of drive control			Stepless	Stepless		
10.7.1	Level of noise at the ear level of the driver according to EN 12 053:2001 and EN ISO 4871, drive/lift/idle LpAZ		dB(A)	62	64		

7) 10,5 / 12 kmh with Power Steering and tandem wheels

8) Comfort Steering

9) Different chassis size to accompany various battery capacities are optional. Optional chassis sizes may influence truck dimensions.

Please refer to the 'CHASSIS & BATTERY' tables, or ask your dealer for full details.

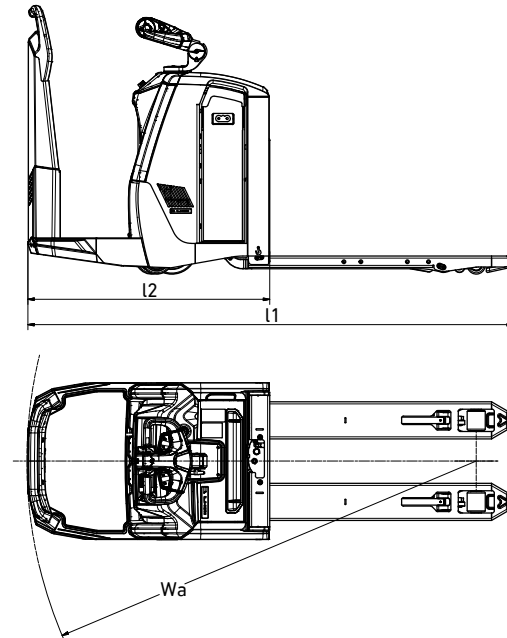
10) Shows Li-Ion capacity; Lead Acid battery 240Ah

PREMIA EM

PBF20-25N3S Series

PLATFORM POWER PALLET TRUCKS

2.0 – 2.5 tonnes



Ast = Wa-x+l6+200

Ast = Working aisle width

Wa = Turning radius

STANDARD EQUIPMENT & OPTIONS

PREMIA EM PBV/PBF20-25N3(R)(S) Series

PLATFORM POWER PALLET TRUCKS

2.0 – 2.5 tonnes

- = Standard
- = Option

	PBV20N3	PBV25N3	PBF20N3R	PBF25N3R	PBF20N3S	PBF25N3S
GENERAL						
Micro-computer incl. Hour meter and battery indicator.	●	●	●	●	●	●
Standard display incl. Hour meter and battery indicator	●	●	●	●	●	●
Foldable platform	●	●	-	-	-	-
Fixed platform, rear entry	-	-	●	●	-	-
Fixed platform, side entry	-	-	-	-	●	●
Mechanical tiller arm	●	-	-	-	-	-
Power tiller arm	●	●	●	●	-	-
Comfort tiller arm	-	-	●	●	●	●
Crossway pallet indication on forks and marking on fork tips	●	●	●	●	●	●
Chill store design, down to -10°C	●	●	●	●	●	●
Speed regulated lift motor	●	●	●	●	●	●
On/off valve for lowering, controlled by rocker switch on tiller head	●	●	●	●	●	●
Vulkollan drive wheel	●	●	●	●	●	●
Tandem load wheels vulkollan	●	●	●	●	●	●
Single load wheel	●	-	-	-	-	-
Closed pallet entry/exit	●	●	●	●	●	●
Quick release of battery lock	●	●	●	●	●	●
Battery rollers	●	●	●	●	●	●
Li-ION batteries*	●	●	●	●	●	●
Lead acid batteries	●	●	●	●	●	●
ENVIRONMENT						
Cold store design, 0C° to -30C°	●	●	●	●	●	●
DRIVE AND LIFT CONTROLS						
Heavy duty tiller Head - with key switch entry	●	●	●	●	●	●
Tiller up drive	●	●	-	-	-	-
WHEEL OPTIONS						
Vulkollan	●	●	●	●	●	●
Tractothan	●	●	●	●	●	●
Super grip	●	●	●	●	●	●

* Li-ion battery option is available in selected regions.

STANDARD EQUIPMENT & OPTIONS

● = Standard
● = Option

	PBV20N3	PBV25N3	PBF20N3R	PBF25N3R	PBF20N3S	PBF25N3S
OTHER OPTIONS						
Power steering	●	●	●	●	●	●
Multifunction display incl. BDI&Hourmeter, PIN code login(100 codes) and graphic icons	●	●	●	●	●	●
Load backrest	●	●	●	●	●	●
Multi purpose tray	●	●	●	●	●	●
Key switch entry	●	●	●	●	●	●
12V DC Power Socket	●	●	●	●	●	●
5 V USB socket	●	●	●	●	●	●
Equipment bar	●	●	●	●	●	●
Writing desk incl. RAM C holder	●	●	●	●	●	●
Equipment bar holder RAM system size C	●	●	●	●	●	●
Equipment bar holder RAM system size C, 2 pcs	●	●	●	●	●	●
Equipment bar holder RAM size D	●	●	●	●	●	●
Working lights LED	●	●	●	●	●	●
Increased drive speed with/without load 10,5/12,5 km/h(only in combination with power steering)	●	●	●	●	●	●
Active Spin Reduction	●	●	●	●	●	●
Special RAL colour	●	●	●	●	●	●

PREMIA EM

PBV/PBF20-25N3(R)(S) Series

PLATFORM POWER PALLET TRUCKS

2.0 – 2.5 tonnes

CHASSIS & BATTERY DIMENSIONS

CHASSIS			BATTERY 24 V type		BATTERY CAPACITY, Ah	BATTERY COMPARTMENT			CELL TYPE	WEIGHT OF BATTERY, kg Min / Max	APPROXIMATE WEIGHT OF TRUCK, kg Without battery
Mini	Junior	Senior	Lead-Acid	Li-ion		Lift out	Steel rollers	Fixed			
●			●	●	240 - 300 222	●	●	●	BS - British standard Prismatic NMC	250 / 300	570
	●		●	●	270 - 375 280 - 400	●	●	●	DIN BS - British standard Prismatic NMC	285 / 350	595
		●	●	●	296 / 370 420 - 600	●	●	●	BS - British standard	350 / 470	630

CHASSIS			PBV20 / 25N3				PBF20 / 25N3R, PBF20 / 25N3S			Truck width b1
			Truck length l1		AST, mm (1 x EU-pallet lengthwise)		Truck length l1	AST, mm (1 x EU-pallet lengthwise)		
Mini	Junior	Senior	Platform up	Platform down	Platform up	Platform down	Platform rear or side entry			
●			1800	2256	2299	2652	2292	2692		740
	●		1844	2300	2379	2732	2372	2772		740
		●	1880	2336	2443	2796	2436	2836		740

WHEN RELIABILITY IS EVERYTHING...



PREMIA
THE NUMBER ONE

Number one for reliability... number one for productivity... whatever the conditions.

Compact, efficient and resilient, PREMIA powered pallet trucks meet every need.

Like any product bearing the "MITSUBISHI" name our materials handling equipment benefits from the tremendous heritage, huge resources and cutting-edge technology of one of the world's largest corporations – Mitsubishi Heavy Industries Group.

Engineering spacecraft, jet planes, power plants and more, MHI specialises in those technologies where performance, dependability and superiority decide your success or failure...

So when we promise you quality, reliability and value for money, you know it's a guarantee we have the power to deliver.

That's why every model in our award-winning and comprehensive range of lift trucks and warehouse equipment is built to a high specification – to ensure it keeps working for you. Day after day. Year after year. Whatever the job. Whatever the conditions.

YOU'LL NEVER WORK ALONE

As your local authorised dealer, we are here to keep your trucks working – through our extensive experience, our technical excellence and our commitment to customer care.

We are your local experts, backed by efficient channels to the entire organisation of Mitsubishi Forklift Trucks.

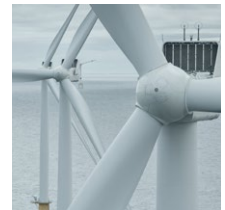
No matter where you are, we are close by – with the capability to meet your needs.

Discover how Mitsubishi Forklift Trucks give you more from your local authorised dealer or when you visit our website www.mitforklift.com

Performance specifications may vary depending on standard manufacturing tolerances, vehicle condition, types of tyres, floor or surface conditions, applications or operating environment. Trucks may be shown with non-standard options. Specific performance requirements and locally available configurations should be discussed with your distributor of Mitsubishi forklift trucks. We follow a policy of continual product improvement. For this reason, some materials, options and specifications could change without notice.

info@mitforklift.com

WESM2094 (10/20) © 2020 MCFE



Mitsubishi Logisnext Europe B.V.
Hefbrugweg 77, 1332 AM Almere
The Netherlands
Tel: +31 (0)36 5494 411



mft2.eu/fb



mft2.eu/apps



mft2.eu/youtube



mft2.eu/facebook

